

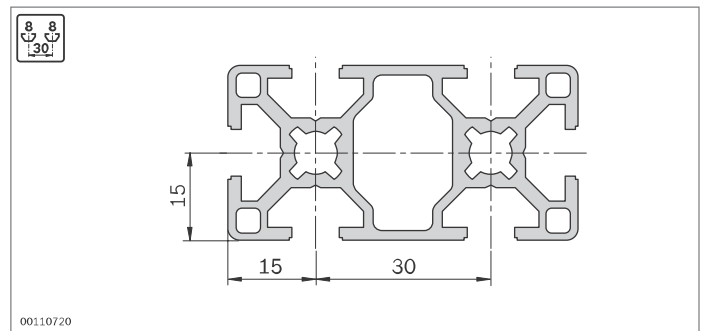
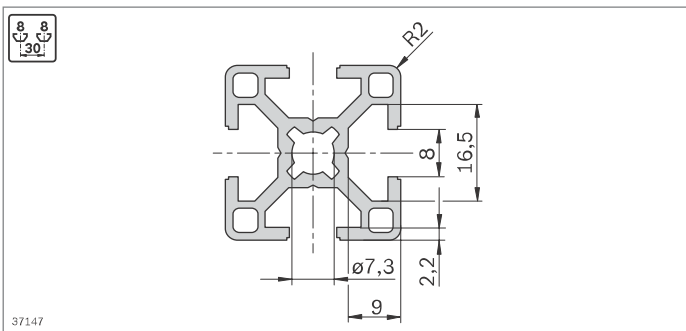
Strut profiles with 8 mm slot

Strut profiles with a 8 mm slot are suitable for medium loads, such as material shuttles, light fixtures, frames and partition walls.

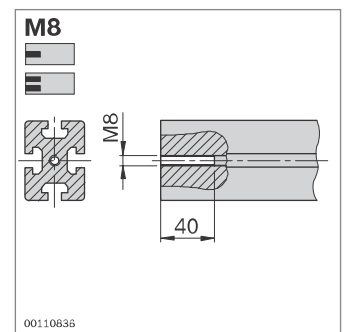
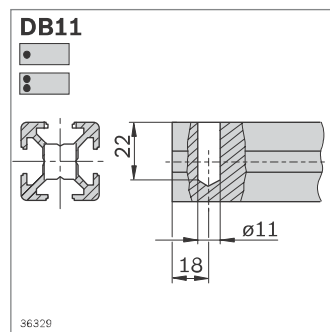
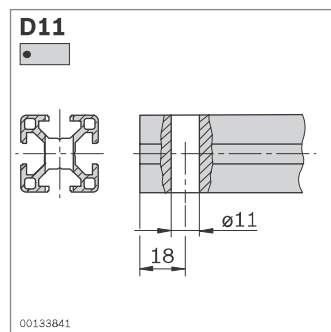
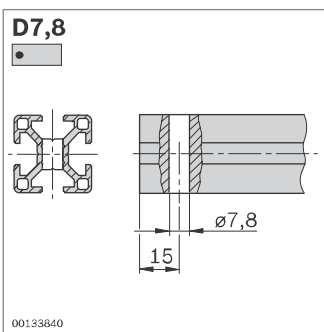
Profile 30x60x60 is suitable for constructing showcases and flow racks.

Attractive covers and hoods can be designed with radius profiles.

Slot, modular dimensions, central bore



Profile finishing



Minimum profile lengths (mm) for Quick & Easy standard profile finishing on one or both sides

| | - | M8 | D7.8 | D11/DB11 |
|----------|----|----|------|----------|
| - | 50 | 50 | 50 | 50 |
| M8 | 50 | 80 | 62 | 70 |
| D7.8 | 50 | 62 | 60 | 50 |
| D11/DB11 | 50 | 70 | 50 | 60 |

Reduced maximum profile lengths $L_{max i}$ at customized profile finishing

| L_{max} (mm) | $L_{max i}$ (mm) |
|----------------|------------------|
| 6070 | 5400 |
| 3000 | 2300 |
| 2000 | 1300 |

30x30

A = 3,1 cm²
 $I_x = 2,8 \text{ cm}^4$
 $I_y = 2,8 \text{ cm}^4$
 $W_x = 1,8 \text{ cm}^3$
 $W_y = 1,8 \text{ cm}^3$
 m = 0,9 kg/m

19178

| Cover cap | Color | ESD | No. |
|------------|-------------|-----|---------------|
| 30x30 (1x) | Signal gray | 100 | 3 842 548 744 |
| 30x30 (1x) | Black | 20 | 3 842 548 745 |

Material: PP

| Cover cap with hole | Color | ESD | No. |
|---------------------|-------------|-----|---------------|
| 30x30 (1x) | Signal gray | 20 | 3 842 548 774 |
| 30x30 (1x) | Black | 20 | 3 842 548 775 |

Material: PP

| Cover cap ZN | ESD No. | FS |
|--------------|---------------|-----|
| 30x30-ZN | 3 842 518 204 | FS1 |

Material: Cover cap: Diecast zinc
 Fastening material: Steel; galvanized

30x30 1N

A = 3,7 cm²
 $I_x = 3,1 \text{ cm}^4$
 $I_y = 3,5 \text{ cm}^4$
 $W_x = 2,0 \text{ cm}^3$
 $W_y = 2,3 \text{ cm}^3$
 m = 1,0 kg/m

19179

Cover cap: see 30x30

30x30 2N

A = 3,5 cm²
 $I_x = 2,8 \text{ cm}^4$
 $I_y = 3,5 \text{ cm}^4$
 $W_x = 2,1 \text{ cm}^3$
 $W_y = 2,7 \text{ cm}^3$
 m = 1,0 kg/m

19180

Cover cap: see 30x30

| 30x30 | L (mm) | No. |
|----------------|-------------|-------------------|
| 1 pc | 50 ... 6070 | 3 842 990 720 / L |
| 1 pc M8 | 50 ... 6000 | 3 842 990 721 / L |
| 1 pc M8-M8 | 80 ... 6000 | 3 842 990 723 / L |
| 1 pc M8-D11 | 70 ... 6000 | 3 842 990 724 / L |
| 1 pc D7,8-D7,8 | 60 ... 6000 | 3 842 992 965 / L |
| 1 pc D11 | 50 ... 6000 | 3 842 990 722 / L |
| 1 pc D11-D11 | 60 ... 6000 | 3 842 990 725 / L |
| 1 pc D11-D11V | 60 ... 6000 | 3 842 990 726 / L |
| 20 pcs | 6070 | 3 842 557 206 |

Quick & Easy (p. 2-7, see fold-out section)

| 30x30 | 3 842 993 703 / ... |
|--|--|
| Length L (mm) | 50 ... 6070 |
| Standard profile finishing $L_{max} = 6000 \text{ mm}$ (note minimum length, p. 2-15) | M8 / D7.8 / D11 / DB11 |
| Customized profile finishing ($L_{max i} = 5400 \text{ mm}$) | DI / DIS / MT / MTS / MI / MIS / DG ¹⁾ |

¹⁾ $DG_{max} = 45^\circ$; $L_{min1} / L_{min2} = 352 / 404 \text{ mm}$

FS1

DIN 7991
M4x16

| 30x30 1N | L (mm) | No. |
|----------|-------------|-------------------|
| 1 pc | 50 ... 6070 | 3 842 992 397 / L |
| 20 pcs | 6070 | 3 842 557 208 |

Quick & Easy (p. 2-7, see fold-out section)

| 30x30 1N | 3 842 993 704 / ... |
|--|--|
| Length L (mm) | 50 ... 6070 |
| Standard profile finishing $L_{max} = 6000 \text{ mm}$ (note minimum length, p. 2-15) | M8 / D7.8 / D11 / DB11 |
| Customized profile finishing ($L_{max i} = 5400 \text{ mm}$) | DI / DIS / MT / MTS / MI / MIS / DG ¹⁾ |

¹⁾ $DG_{max} = 45^\circ$; $L_{min1} / L_{min2} = 352 / 404 \text{ mm}$

| 30x30 2N | L (mm) | No. |
|----------|-------------|-------------------|
| 1 pc | 50 ... 6070 | 3 842 992 399 / L |
| 20 pcs | 6070 | 3 842 557 220 |

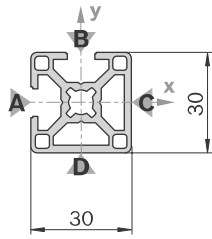
Quick & Easy (p. 2-7, see fold-out section)

| 30x30 2N | 3 842 993 705 / ... |
|--|--|
| Length L (mm) | 50 ... 6070 |
| Standard profile finishing $L_{max} = 6000 \text{ mm}$ (note minimum length, p. 2-15) | M8 / D7.8 / D11 / DB11 |
| Customized profile finishing ($L_{max i} = 5400 \text{ mm}$) | DI / DIS / MT / MTS / MI / MIS / DG ¹⁾ |

¹⁾ $DG_{max} = 45^\circ$; $L_{min1} / L_{min2} = 352 / 404 \text{ mm}$

30x30 2NVS

A = 3,5 cm²
 I_x = 3,1 cm⁴
 I_y = 3,1 cm⁴
 W_x = 2,0 cm³
 W_y = 2,0 cm³
 m = 1,0 kg/m



19181

Cover cap: see 30x30

| 30x30 2NVS | | L (mm) | No. |
|------------|--|-------------|--------------------------|
| 1 pc | | 50 ... 6070 | 3 842 992 398 / L |
| 20 pcs | | 6070 | 3 842 557 209 |

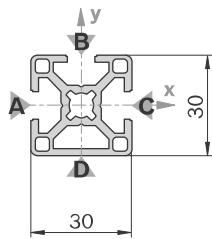
Quick & Easy (p. 2-7, see fold-out section)

| 30x30 2NVS | | 3 842 993 706 / ... | |
|---|--|--|--|
| Length L (mm) | | 50 ... 6070 | |
| Standard profile finishing L _{max} = 6000 mm | | M8 / D7.8 / D11 / DB11 (note minimum length, p. 2-15) | |
| Customized profile finishing (L _{max i} = 5400 mm) | | DI / DIS / MT / MTS / MI / MIS / DG ¹⁾ | |

¹⁾ DG_{max} = 45°; L_{min1} / L_{min2} = 352 / 404 mm

30x30 3N

A = 3,3 cm²
 I_x = 3,1 cm⁴
 I_y = 2,8 cm⁴
 W_x = 2,3 cm³
 W_y = 2,1 cm³
 m = 0,9 kg/m



19182

Cover cap: see 30x30

| 30x30 3N | | L (mm) | No. |
|----------|--|-------------|--------------------------|
| 1 pc | | 50 ... 6070 | 3 842 992 400 / L |
| 20 pcs | | 6070 | 3 842 557 221 |

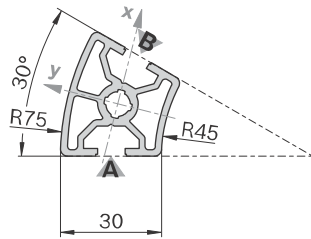
Quick & Easy (p. 2-7, see fold-out section)

| 30x30 3N | | 3 842 993 707 / ... | |
|---|--|--|--|
| Length L (mm) | | 50 ... 6070 | |
| Standard profile finishing L _{max} = 6000 mm | | M8 / D7.8 / D11 / DB11 (note minimum length, p. 2-15) | |
| Customized profile finishing (L _{max i} = 5400 mm) | | DI / DIS / MT / MTS / MI / MIS / DG ¹⁾ | |

¹⁾ DG_{max} = 45°; L_{min1} / L_{min2} = 352 / 404 mm

30x30°

A = 3,7 cm²
 I_x = 3,5 cm⁴
 I_y = 3,6 cm⁴
 W_x = 2,0 cm³
 W_y = 1,9 cm³
 m = 1,0 kg/m



19183

| Cover cap | Color | ESD | | No. |
|-------------|-------------|-----|----|----------------------|
| 30x30° (1x) | Signal gray | 20 | | 3 842 551 008 |
| 30x30° (1x) | Black | | 20 | 3 842 551 009 |

Material: PP

| 30x30° | | L (mm) | No. |
|--------|--|-------------|--------------------------|
| 1 pc | | 50 ... 6070 | 3 842 993 010 / L |
| 20 pcs | | 6070 | 3 842 557 951 |

Quick & Easy (p. 2-7, see fold-out section)

| 30x30° | | 3 842 993 708 / ... | |
|---|--|--------------------------------------|--|
| Length L (mm) | | 50 ... 6070 | |
| Standard profile finishing L _{max} = 6000 mm | | M8 (note minimum length, p. 2-15) | |
| Customized profile finishing | | — | |

30x45°

$A = 4,0 \text{ cm}^2$
 $I_x = 3,6 \text{ cm}^4$
 $I_y = 5,1 \text{ cm}^4$
 $W_x = 2,1 \text{ cm}^3$
 $W_y = 2,3 \text{ cm}^3$
 $m = 1,1 \text{ kg/m}$

19184

| Cover cap | Color | ESD | No. |
|-------------|-------------|-----|----------------------|
| 30x45° (1x) | Signal gray | 20 | 3 842 551 010 |
| 30x45° (1x) | Black | 20 | 3 842 551 011 |

Material: PP

30x60°

$A = 3,6 \text{ cm}^2$
 $I_x = 3,0 \text{ cm}^4$
 $I_y = 4,1 \text{ cm}^4$
 $W_x = 1,7 \text{ cm}^3$
 $W_y = 1,9 \text{ cm}^3$
 $m = 1,0 \text{ kg/m}$

19185

| Cover cap | Color | ESD | No. |
|-------------|-------------|-----|----------------------|
| 30x60° (1x) | Signal gray | 20 | 3 842 551 012 |
| 30x60° (1x) | Black | 20 | 3 842 551 013 |

Material: PP

30x30 R

$A = 2,9 \text{ cm}^2$
 $I_x = 2,3 \text{ cm}^4$
 $I_y = 2,3 \text{ cm}^4$
 $W_x = 1,4 \text{ cm}^3$
 $W_y = 1,4 \text{ cm}^3$
 $m = 0,8 \text{ kg/m}$

19186

| Cover cap | Color | ESD | No. |
|--------------|-------------|-----|----------------------|
| 30x30 R (1x) | Signal gray | 20 | 3 842 548 776 |
| 30x30 R (1x) | Black | 20 | 3 842 548 777 |

Material: PP

| 30x45° | L (mm) | No. |
|--------|-------------|--------------------------|
| 1 pc | 50 ... 6070 | 3 842 993 011 / L |
| 20 pcs | 6070 | 3 842 557 952 |

Quick & Easy (p. 2-7, see fold-out section)

| 30x45° | 3 842 993 711 / ... |
|--|---------------------|
| Length L (mm) | 50 ... 6070 |
| Standard profile finishing $L_{max} = 6000 \text{ mm}$ | M8 |
| (note minimum length, p. 2-15) | |
| Customized profile finishing | — |

| 30x60° | L (mm) | No. |
|--------|-------------|--------------------------|
| 1 pc | 50 ... 6070 | 3 842 993 012 / L |
| 20 pcs | 6070 | 3 842 557 953 |

Quick & Easy (p. 2-7, see fold-out section)

| 30x60° | 3 842 993 714 / ... |
|--|---------------------|
| Length L (mm) | 50 ... 6070 |
| Standard profile finishing $L_{max} = 6000 \text{ mm}$ | M8 |
| (note minimum length, p. 2-15) | |
| Customized profile finishing | — |

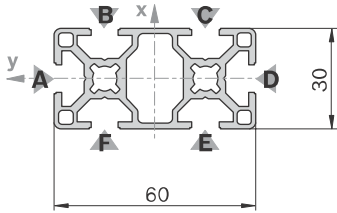
| 30x30 R | L (mm) | No. |
|---------|-------------|--------------------------|
| 1 pc | 50 ... 6070 | 3 842 992 896 / L |
| 20 pcs | 6070 | 3 842 557 947 |

Quick & Easy (p. 2-7, see fold-out section)

| 30x30 R | 3 842 993 709 / ... |
|--|---------------------|
| Length L (mm) | 50 ... 6070 |
| Standard profile finishing $L_{max} = 6000 \text{ mm}$ | M8 / DB11 |
| (note minimum length, p. 2-15) | |
| Customized profile finishing | — |

30x60

A = 5,5 cm²
 I_x = 19,6 cm⁴
 I_y = 5,1 cm⁴
 W_x = 7,0 cm³
 W_y = 3,9 cm³
 m = 1,5 kg/m

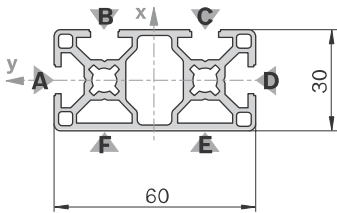


| Cover cap | Color | ESD | No. |
|------------|-------------|-----|---------------|
| 30x30 (2x) | Signal gray | 100 | 3 842 548 744 |
| 30x60 (1x) | Signal gray | 20 | 3 842 548 780 |
| 30x30 (2x) | Black | 20 | 3 842 548 745 |
| 30x60 (1x) | Black | 20 | 3 842 548 781 |
| Material: | PP | | |

| Cover cap with hole | Color | ESD | No. |
|---------------------|-------------|-----|---------------|
| 30x30 (2x) | Signal gray | 20 | 3 842 548 774 |
| 30x30 (2x) | Black | 20 | 3 842 548 775 |
| Material: | PP | | |

30x60 4N

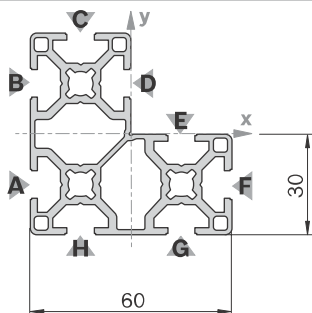
A = 5,8 cm²
 I_x = 20,2 cm⁴
 I_y = 5,5 cm⁴
 W_x = 6,7 cm³
 W_y = 3,8 cm³
 m = 1,6 kg/m



Cover cap: see 30x60

30x60x60

A = 8,2 cm²
 I_x = 26,2 cm⁴
 I_y = 26,2 cm⁴
 W_x = 7,6 cm³
 W_y = 7,6 cm³
 m = 2,2 kg/m



| Cover cap | Color | ESD | No. |
|------------|-------------|-----|---------------|
| 30x30 (3x) | Signal gray | 100 | 3 842 548 744 |
| 30x30 (3x) | Black | 20 | 3 842 548 745 |
| Material: | PP | | |

| 30x60 | L (mm) | No. |
|----------------|-------------|-------------------|
| 1 pc | 50 ... 6070 | 3 842 992 457 / L |
| 1 pc M8 | 50 ... 6000 | 3 842 992 458 / L |
| 1 pc M8 M8 | 80 ... 6000 | 3 842 992 926 / L |
| 1 pc D11 | 50 ... 6000 | 3 842 992 459 / L |
| 1 pc D11 D11 | 60 ... 6000 | 3 842 992 460 / L |
| 1 pc D11 D11V | 60 ... 6000 | 3 842 992 463 / L |
| 1 pc D11V D11V | 60 ... 6000 | 3 842 992 462 / L |
| 10 pcs | 6070 | 3 842 557 205 |

Profile finishing: M8: in all core holes
 D11: in slots B/F, C/E
 D11V: in slots A/D

Quick & Easy (p. 2-7, see fold-out section)

| 30x60 | 3 842 993 712 / ... |
|--|---|
| Length L (mm) | 50 ... 6070 |
| Standard profile finishing L _{max} = 6000 mm (note minimum length, p. 2-15) | M8 / D7.8 / D11 / DB11 |
| Customized profile finishing (L _{max i} = 5400 mm) | DI / DIS / MT / MTS / MI / MIS / DG ¹⁾ |
| 1) DG _{max} = 45°; L _{min1} / L _{min2} = 404 / 508 mm | |

| 30x60 4N | L (mm) | No. |
|----------|-------------|-------------------|
| 1 pc | 50 ... 6070 | 3 842 993 420 / L |
| 10 pcs | 6070 | 3 842 536 472 |

Quick & Easy (p. 2-7, see fold-out section)

| 30x60 4N | 3 842 993 713 / ... |
|--|---|
| Length L (mm) | 50 ... 6070 |
| Standard profile finishing L _{max} = 6000 mm (note minimum length, p. 2-15) | M8 / D7.8 / D11 / DB11 |
| Customized profile finishing (L _{max i} = 5400 mm) | DI / DIS / MT / MTS / MI / MIS / DG ¹⁾ |
| 1) DG _{max} = 45°; L _{min1} / L _{min2} = 404 / 508 mm | |

| 30x60x60 | L (mm) | No. |
|----------|-------------|-------------------|
| 1 pc | 50 ... 6070 | 3 842 993 016 / L |
| 20 pcs | 6070 | 3 842 557 241 |

Quick & Easy (p. 2-7, see fold-out section)

| 30x60x60 | 3 842 993 715 / ... |
|--|---|
| Length L (mm) | 50 ... 6070 |
| Standard profile finishing L _{max} = 6000 mm (note minimum length, p. 2-15) | M8 / D7.8 / D11 / DB11 |
| Customized profile finishing (L _{max i} = 5400 mm) | DI / DIS / MT / MTS / MI / MIS / DG ¹⁾ |
| 1) DG _{max} = 45°; L _{min1} / L _{min2} = 404 / 508 mm | |

30x90

$A = 7,7 \text{ cm}^2$
 $I_x = 60,7 \text{ cm}^4$
 $I_y = 7,3 \text{ cm}^4$
 $W_x = 13,5 \text{ cm}^3$
 $W_y = 4,9 \text{ cm}^3$
 $m = 2,1 \text{ kg/m}$

| Cover cap | Color | ESD | No. |
|------------|-------------|-----|---------------|
| 30x30 (3x) | Signal gray | 100 | 3 842 548 744 |
| 30x30 (3x) | Black | 20 | 3 842 548 745 |

Material: PP

| Cover cap with hole | Color | ESD | No. |
|---------------------|-------------|-----|---------------|
| 30x30 (3x) | Signal gray | 20 | 3 842 548 774 |
| 30x30 (3x) | Black | 20 | 3 842 548 775 |

Material: PP

30x120

$A = 9,9 \text{ cm}^2$
 $I_x = 136,3 \text{ cm}^4$
 $I_y = 9,6 \text{ cm}^4$
 $W_x = 22,7 \text{ cm}^3$
 $W_y = 6,4 \text{ cm}^3$
 $m = 2,7 \text{ kg/m}$

| Cover cap | Color | ESD | No. |
|------------|-------------|-----|---------------|
| 30x30 (4x) | Signal gray | 100 | 3 842 548 744 |
| 30x60 (2x) | Signal gray | 20 | 3 842 548 780 |
| 30x30 (4x) | Black | 20 | 3 842 548 745 |
| 30x60 (2x) | Black | 20 | 3 842 548 781 |

Material: PP

| Cover cap with hole | Color | ESD | No. |
|---------------------|-------------|-----|---------------|
| 30x30 (4x) | Signal gray | 20 | 3 842 548 774 |
| 30x30 (4x) | Black | 20 | 3 842 548 775 |

Material: PP

| 30x90 | L (mm) | No. |
|--------|--------|---------------|
| 20 pcs | 6070 | 3 842 541 937 |

Quick & Easy (p. 2-7, see fold-out section)

| 30x90 | 3 842 993 762 / ... |
|--|--|
| Length L (mm) | 50 ... 6070 |
| Standard profile finishing $L_{max} = 6000 \text{ mm}$ (note minimum length, p. 2-15) | M8 / D7.8 (B,C,D,F, G,H) ¹⁾ / D11 (B,C,D, F,G,H) ¹⁾ / DB11 |
| Customized profile finishing ($L_{max} = 5400 \text{ mm}$) | DI / DIS / MT / MTS / MI / MIS / DG ²⁾ |

¹⁾ For the specified slots

²⁾ $DG_{max} = 45^\circ$; $L_{min1} / L_{min2} = 150 / 150 \text{ mm}$

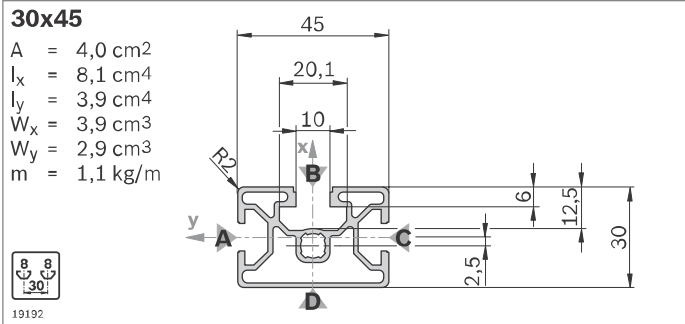
| 30x120 | L (mm) | No. |
|--------|--------|---------------|
| 20 pcs | 6070 | 3 842 541 939 |

Quick & Easy (p. 2-7, see fold-out section)

| 30x120 | 3 842 993 763 / ... |
|--|--|
| Length L (mm) | 50 ... 6070 |
| Standard profile finishing $L_{max} = 6000 \text{ mm}$ (note minimum length, p. 2-15) | M8 / D7.8 (B,C,D,E, G,H,I,J) ¹⁾ / D11 (B,C,D, E,G,H,I,J) ¹⁾ / DB11 |
| Customized profile finishing ($L_{max} = 5400 \text{ mm}$) | DI / DIS / MT / MTS / MI / MIS / DG ²⁾ |

¹⁾ For the specified slots

²⁾ $DG_{max} = 45^\circ$; $L_{min1} / L_{min2} = 150 / 150 \text{ mm}$



| Cover cap | Color | ESD | No. |
|------------|-------------|-----|---------------|
| 30x45 (1x) | Signal gray | 20 | 3 842 548 778 |
| 30x45 (1x) | Black | 20 | 3 842 548 779 |

Material: PP

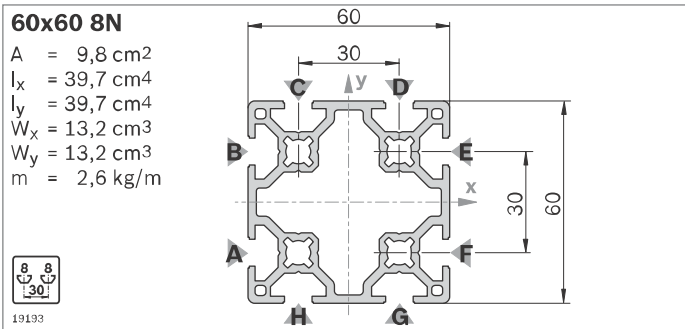
| 30x45 | L (mm) | No. |
|---------|-------------|-------------------|
| 1 pc | 50 ... 6070 | 3 842 992 430 / L |
| 1 pc M8 | 50 ... 6000 | 3 842 992 431 / L |
| 18 pcs | 6070 | 3 842 557 203 |

Quick & Easy (p. 2-7, see fold-out section)

| 30x45 | 3 842 993 710 / ... |
|--|---|
| Length L (mm) | 50 ... 6070 |
| Standard profile finishing $L_{max} = 6000 \text{ mm}$ (note minimum length, p. 2-15) | M8 / D7.8 (A,C) ¹⁾ / D9.8 (B) ¹⁾ / D11 (A,C) ¹⁾ / DB11 / D17 (B) ¹⁾ |
| Customized profile finishing ($L_{max i} = 5400 \text{ mm}$) | DI / DIS / MT / MTS / MI / MIS / DG ²⁾ |

¹⁾ For the specified slots

²⁾ $DG_{max} = 45^\circ$; $L_{min1} / L_{min2} = 378 / 456 \text{ mm}$



| Cover cap | Color | ESD | No. |
|---------------|-------------|-----|---------------|
| 60x60 8N (1x) | Signal gray | 20 | 3 842 551 046 |
| 60x60 8N (1x) | Black | 20 | 3 842 551 047 |

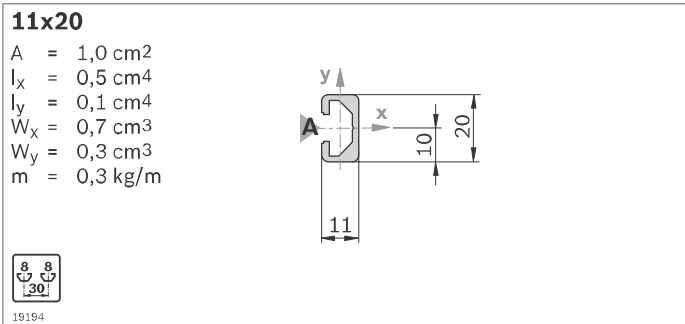
Material: PP

| 60x60 8N | L (mm) | No. |
|----------|-------------|-------------------|
| 1 pc | 50 ... 6070 | 3 842 993 033 / L |
| 20 pcs | 6070 | 3 842 535 176 |

Quick & Easy (p. 2-7, see fold-out section)

| 60x60 8N | 3 842 993 669 / ... |
|--|--|
| Length L (mm) | 50 ... 6070 |
| Standard profile finishing $L_{max} = 6000 \text{ mm}$ (note minimum length, p. 2-15) | M8 / D7.8 / D11 / DB11 |
| Customized profile finishing ($L_{max i} = 5400 \text{ mm}$) | DI / DIS / MT / MTS / MI / MIS / DG ²⁾ |

²⁾ $DG_{max} = 45^\circ$; $L_{min1} / L_{min2} = 404 / 508 \text{ mm}$



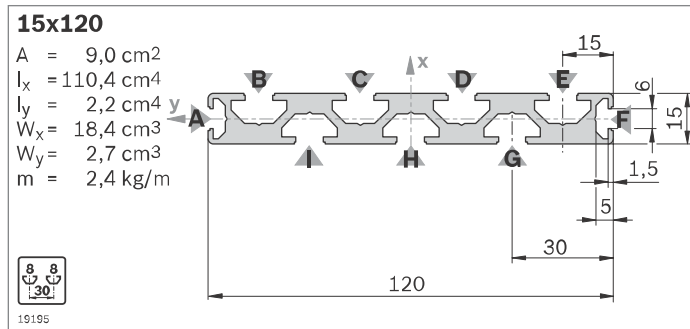
| Cover cap | Color | ESD | No. |
|------------|-------------|-----|---------------|
| 11x20 (1x) | Signal gray | 20 | 3 842 551 044 |
| 11x20 (1x) | Black | 20 | 3 842 551 045 |

Material: PP

| 11x20 | L (mm) | No. |
|--------|-------------|-------------------|
| 1 pc | 50 ... 2000 | 3 842 992 476 / L |
| 10 pcs | 2000 | 3 842 513 581 |

Quick & Easy (p. 2-7, see fold-out section)

| 11x20 | 3 842 993 688 / ... |
|--|---------------------|
| Length L (mm) | 50 ... 2000 |
| Standard profile finishing (note minimum length, p. 2-15) | D7.8 / D11 |
| Customized profile finishing | — |



| Cover cap | Color | ESD | No. |
|-------------|-------------|-----|----------------------|
| 15x120 (1x) | Signal gray | 20 | 3 842 548 768 |
| 15x120 (1x) | Black | 20 | 3 842 548 769 |

Material: PP

| 15x120 | L (mm) | No. |
|--------|-------------|--------------------------|
| 1 pc | 50 ... 3000 | 3 842 993 078 / L |
| 10 pcs | 3000 | 3 842 537 821 |

Quick & Easy (p. 2-7, see fold-out section)

| 15x120 | 3 842 993 684 / ... |
|--|---|
| Length L (mm) | 80 ... 3000 |
| Standard profile finishing (note minimum length, p. 2-15) | D7.8 (B,C,D,E,G,H,I) ¹⁾ / D11 (B,C,D,E,G,H,I) ¹⁾ |
| Customized profile finishing (L _{max i} = 2300 mm) | DI / DIS / MT / MTS / MI / MIS |

¹⁾ For the specified slots