

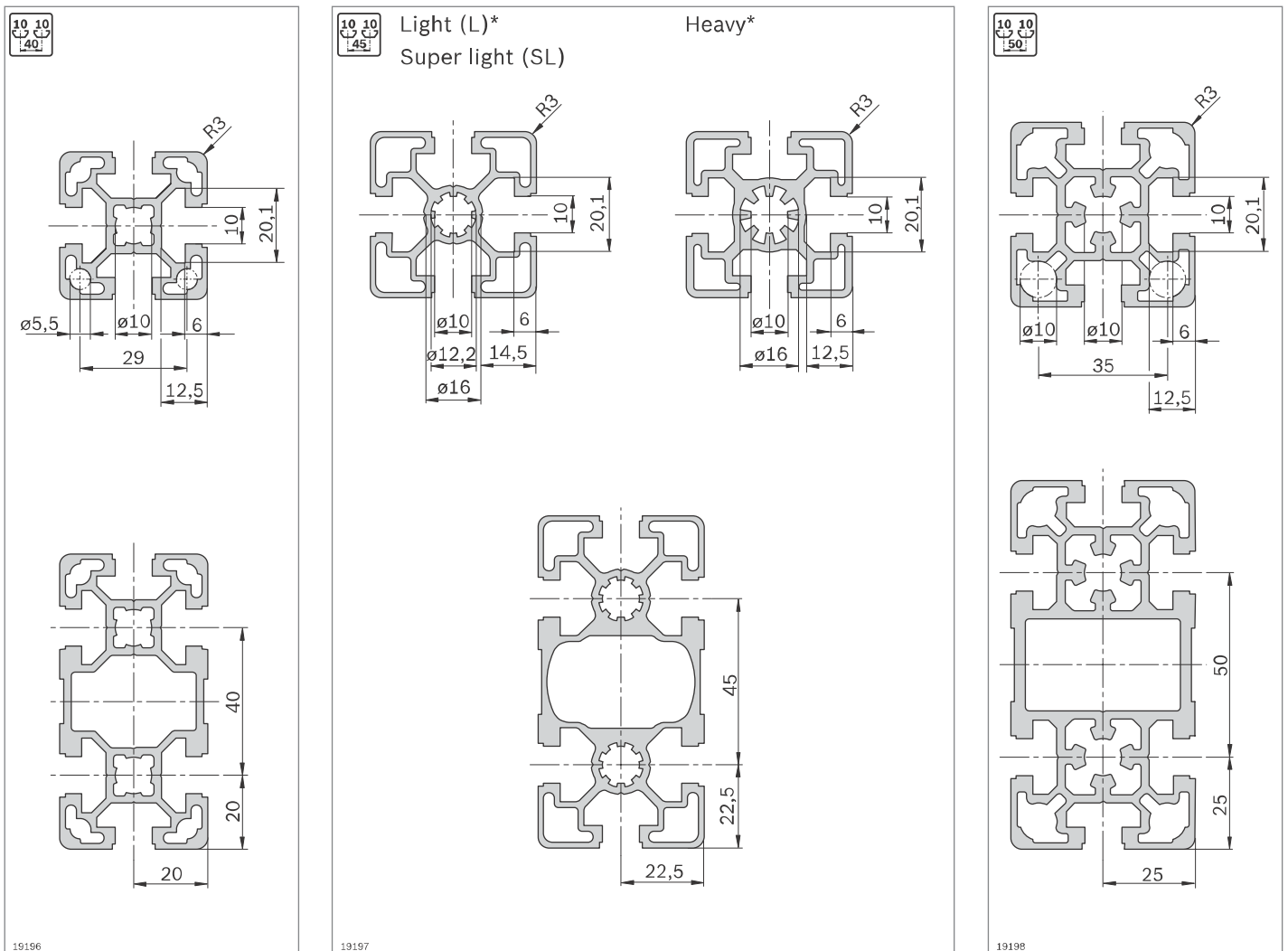
Strut profiles with 10 mm slot

The Rexroth modular profile system, with 10 mm slots in the modular dimensions 40 mm, 45 mm, 50 mm, and 60 mm, covers all conventional profile dimensions on the world market.

Thanks to their computer-optimized design, the strut

profiles L with 10 mm slot (modular dimensions 40 mm, 45 mm, and 50 mm, e.g. 50x50L) combine high strengths with minimum use of materials. This gives you a cost-effective and stable solution for the construction of tables, protection devices or frames, for instance.

Slot, modular dimensions, central bore



*) The following L-profiles have a "heavy" slot geometry:
45x90x90L; 45x90x90L 4N; 90x90L; 90x90L 4N; 90x90L 4NVS; 90x180L

Minimum profile lengths (mm) for Quick & Easy standard profile finishing on one or both sides

	-	M12	M16	D9.8	D17/DB17	F1
-	50	60	120	50	60	60
M12	60	110	180	90	90	110
M16	120	180	240	150	170	170
D9.8	50	90	150	80	70	90
D17/DB17	60	90	170	70	80	90
F1	60	110	170	90	90	80

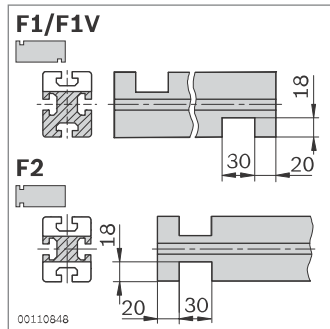
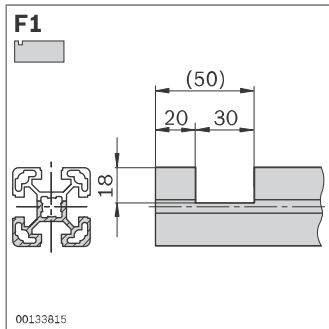
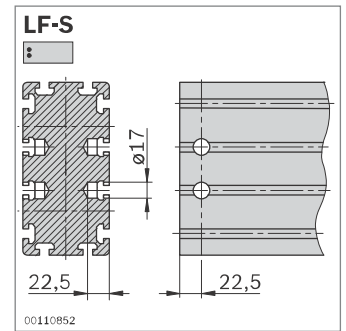
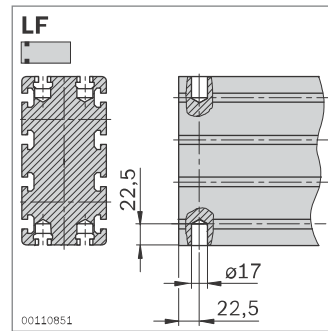
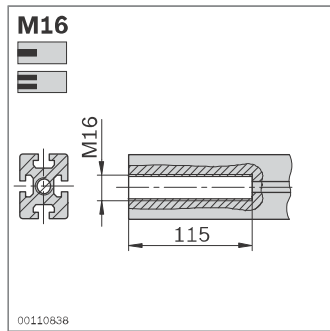
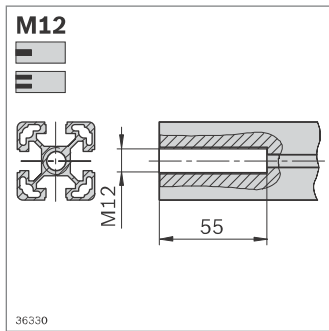
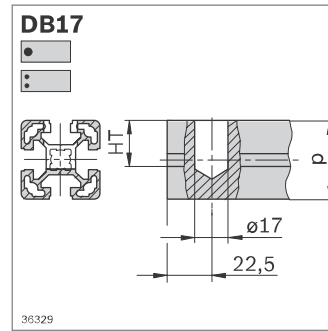
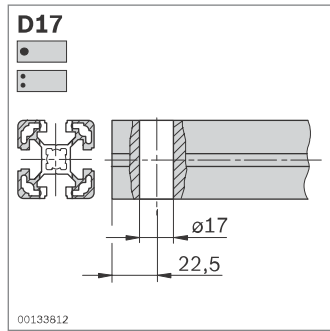
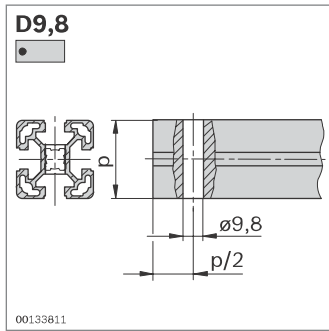
Reduced maximum profile lengths $L_{max i}$ at customized profile finishing

L_{max} (mm)	$L_{max i}$ (mm)
6070	5400
3000	2300
2000	1300

For applications with high loads, we recommend especially stable profiles with 10 mm slots, e.g. for heavy work tables, fixtures, machine frames, transport shuttles, protective enclosures, and handling systems.

Due to its very sturdy design, this slot allows maximum strength connections.

Profile finishing



45x45L

$A = 6,0 \text{ cm}^2$
 $I_x = 11,7 \text{ cm}^4$
 $I_y = 11,7 \text{ cm}^4$
 $W_x = 5,2 \text{ cm}^3$
 $W_y = 5,2 \text{ cm}^3$
 $m = 1,6 \text{ kg/m}$

10 10
45
19421

Cover cap	Color	ESD	No.
45x45 (1x)	Signal gray	100	3 842 548 752
45x45 (1x)	Black	20	3 842 548 753
Material:	PP		

Cover cap with hole	Color	ESD	No.
45x45 (1x)	Signal gray	20	3 842 548 796
45x45 (1x)	Black	20	3 842 548 797
Material:	PP		

Cover cap ZN	ESD No.	FS
45x45-ZN	3 842 518 205	FS2
Material:	Cover cap: Diecast zinc Fastening material: Steel; galvanized	

45x45L ON

$A = 6,7 \text{ cm}^2$
 $I_x = 13,5 \text{ cm}^4$
 $I_y = 13,5 \text{ cm}^4$
 $W_x = 6,0 \text{ cm}^3$
 $W_y = 6,0 \text{ cm}^3$
 $m = 1,8 \text{ kg/m}$

10 10
45
19422

Cover cap: see 45x45

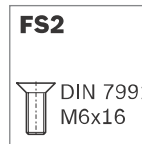
45x45L	L (mm)	No.
1 pc	50 ... 6070	3 842 992 425 / L
1 pc M12	60 ... 6000	3 842 992 426 / L
1 pc M12 M12	110 ... 6000	3 842 992 427 / L
1 pc M12 D17	90 ... 6000	3 842 992 960 / L
1 pc D9,8 D9,8	80 ... 6000	3 842 992 967 / L
1 pc D17	60 ... 6000	3 842 992 953 / L
1 pc D17 D17	80 ... 6000	3 842 992 954 / L
1 pc D17 D17V	80 ... 6000	3 842 992 956 / L
20 pcs	6070	3 842 553 611

Quick & Easy (p. 2-7, see fold-out section)

45x45L	3 842 993 737 / ...
Length L (mm)	50 ... 6070
Standard profile finishing $L_{max} = 6000 \text{ mm}$ (note minimum length, p. 2-24)	M12 / D9.8 / D17 / DB17 / F1 (A) ¹⁾
Customized profile finishing ($L_{max i} = 5400 \text{ mm}$)	DI / DIS / MT / MTS / MI / MIS / DG ²⁾

1) For the specified slots

2) $DG_{max} = 45^\circ$; $L_{min1} / L_{min2} = 378 / 456 \text{ mm}$



45x45L ON	L (mm)	No.
20 pcs	6070	3 842 540 955

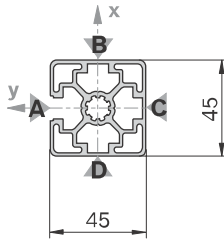
Quick & Easy (p. 2-7, see fold-out section)

45x45L ON	3 842 993 761 / ...
Length L (mm)	50 ... 6070
Standard profile finishing $L_{max} = 6000 \text{ mm}$ (note minimum length, p. 2-24)	M12 / D9.8 / D17 / DB17
Customized profile finishing ($L_{max i} = 5400 \text{ mm}$)	DI / DIS / MT / MTS / MI / MIS / DG ¹⁾

1) $DG_{max} = 45^\circ$; $L_{min1} / L_{min2} = 378 / 456 \text{ mm}$

45x45L 1N

A = 6,5 cm²
 $I_x = 12,6 \text{ cm}^4$
 $I_y = 13,5 \text{ cm}^4$
 $W_x = 5,5 \text{ cm}^3$
 $W_y = 6,0 \text{ cm}^3$
 m = 1,8 kg/m



19423

Cover cap: see 45x45

45x45L 1N		L (mm)	No.
1 pc		50 ... 6070	3 842 992 401 / L
20 pcs		6070	3 842 557 222

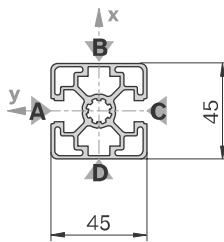
Quick & Easy (p. 2-7, see fold-out section)

45x45L 1N		3 842 993 738 / ...	
Length L (mm)		50 ... 6070	
Standard profile finishing $L_{max} = 6000 \text{ mm}$ (note minimum length, p. 2-24)		M12 / D9.8 / D17 / DB17	
Customized profile finishing ($L_{max i} = 5400 \text{ mm}$)		DI / DIS / MT / MTS / MI / MIS / DG ¹⁾	

¹⁾ $DG_{max} = 45^\circ$; $L_{min1} / L_{min2} = 378 / 456 \text{ mm}$

45x45L 2N

A = 6,4 cm²
 $I_x = 11,6 \text{ cm}^4$
 $I_y = 13,5 \text{ cm}^4$
 $W_x = 5,2 \text{ cm}^3$
 $W_y = 6,0 \text{ cm}^3$
 m = 1,7 kg/m



19424

Cover cap: see 45x45

45x45L 2N		L (mm)	No.
1 pc		50 ... 6070	3 842 992 403 / L
20 pcs		6070	3 842 557 224

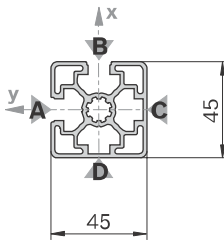
Quick & Easy (p. 2-7, see fold-out section)

45x45L 2N		3 842 993 739 / ...	
Length L (mm)		50 ... 6070	
Standard profile finishing $L_{max} = 6000 \text{ mm}$ (note minimum length, p. 2-24)		M12 / D9.8 / D17 / DB17	
Customized profile finishing ($L_{max i} = 5400 \text{ mm}$)		DI / DIS / MT / MTS / MI / MIS / DG ¹⁾	

¹⁾ $DG_{max} = 45^\circ$; $L_{min1} / L_{min2} = 378 / 456 \text{ mm}$

45x45L 2NVS

A = 6,4 cm²
 $I_x = 12,6 \text{ cm}^4$
 $I_y = 12,6 \text{ cm}^4$
 $W_x = 5,6 \text{ cm}^3$
 $W_y = 5,6 \text{ cm}^3$
 m = 1,7 kg/m



19425

Cover cap: see 45x45

45x45L 2NVS		L (mm)	No.
1 pc		50 ... 6070	3 842 992 402 / L
20 pcs		6070	3 842 557 223

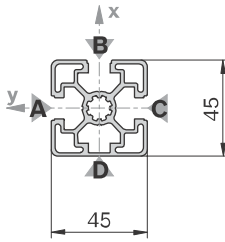
Quick & Easy (p. 2-7, see fold-out section)

45x45L 2NVS		3 842 993 740 / ...	
Length L (mm)		50 ... 6070	
Standard profile finishing $L_{max} = 6000 \text{ mm}$ (note minimum length, p. 2-24)		M12 / D9.8 / D17 / DB17	
Customized profile finishing ($L_{max i} = 5400 \text{ mm}$)		DI / DIS / MT / MTS / MI / MIS / DG ¹⁾	

¹⁾ $DG_{max} = 45^\circ$; $L_{min1} / L_{min2} = 378 / 456 \text{ mm}$

45x45L 3N

A = 6,2 cm²
 I_x = 12,6 cm⁴
 I_y = 11,7 cm⁴
 W_x = 5,4 cm³
 W_y = 5,2 cm³
 m = 1,7 kg/m



19426

Cover cap: see 45x45

45x45L 3N		L (mm)	No.
1 pc		50 ... 6070	3 842 992 404 / L
20 pcs		6070	3 842 557 225

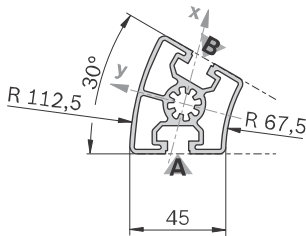
Quick & Easy (p. 2-7, see fold-out section)

45x45L 3N		3 842 993 741 / ...
Length L (mm)	50 ... 6070	
Standard profile finishing L _{max} = 6000 mm	M12 / D9.8 / D17 / DB17 (note minimum length, p. 2-24)	
Customized profile finishing (L _{max i} = 5400 mm)	DI / DIS / MT / MTS / MI / MIS / DG ¹⁾	

¹⁾ DG_{max} = 45°; L_{min1} / L_{min2} = 378 / 456 mm

45x30°

A = 6,9 cm²
 I_x = 12,7 cm⁴
 I_y = 15,2 cm⁴
 W_x = 5,0 cm³
 W_y = 5,3 cm³
 m = 1,9 kg/m



19427

Cover cap	Color	ESD		No.
45x30° (1x)	Signal gray	20		3 842 551 020
45x30° (1x)	Black	20		3 842 551 021
Material:	PP			

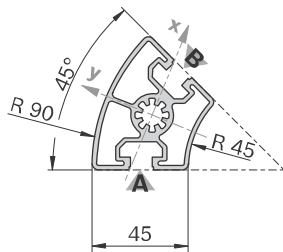
45x30°		L (mm)	No.
1 pc		50 ... 6070	3 842 993 013 / L
20 pcs		6070	3 842 557 954

Quick & Easy (p. 2-7, see fold-out section)

45x30°		3 842 993 733 / ...
Length L (mm)	50 ... 6070	
Standard profile finishing L _{max} = 6000 mm	M12 (note minimum length, p. 2-24)	
Customized profile finishing	—	

45x45°

A = 7,6 cm²
 I_x = 13,4 cm⁴
 I_y = 21,4 cm⁴
 W_x = 5,2 cm³
 W_y = 6,4 cm³
 m = 2,0 kg/m



19428

Cover cap	Color	ESD		No.
45x45° (1x)	Signal gray	20		3 842 551 022
45x45° (1x)	Black	20		3 842 551 023
Material:	PP			

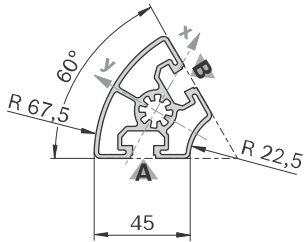
45x45°		L (mm)	No.
1 pc		50 ... 6070	3 842 993 014 / L
20 pcs		6070	3 842 557 955

Quick & Easy (p. 2-7, see fold-out section)

45x45°		3 842 993 735 / ...
Length L (mm)	50 ... 6070	
Standard profile finishing L _{max} = 6000 mm	M12 (note minimum length, p. 2-24)	
Customized profile finishing	—	

45x60°

A = 6,8 cm²
 $I_x = 11,4 \text{ cm}^4$
 $I_y = 16,9 \text{ cm}^4$
 $W_x = 4,4 \text{ cm}^3$
 $W_y = 5,2 \text{ cm}^3$
 m = 1,8 kg/m



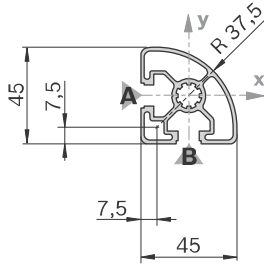
19429

Cover cap	Color	ESD	No.
45x60° (1x)	Signal gray	20	3 842 551 024
45x60° (1x)	Black	20	3 842 551 025

Material: PP

45x45L R

A = 4,9 cm²
 $I_x = 8,6 \text{ cm}^4$
 $I_y = 8,6 \text{ cm}^4$
 $W_x = 5,0 \text{ cm}^3$
 $W_y = 5,0 \text{ cm}^3$
 m = 1,3 kg/m



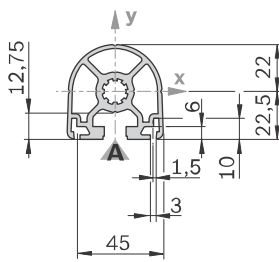
19430

Cover cap	Color	ESD	No.
45x45 R (1x)	Signal gray	20	3 842 548 800
45x45 R (1x)	Black	20	3 842 548 801

Material: PP

45x45 HR

A = 6,6 cm²
 $I_x = 11,0 \text{ cm}^4$
 $I_y = 10,7 \text{ cm}^4$
 $W_x = 4,4 \text{ cm}^3$
 $W_y = 4,8 \text{ cm}^3$
 m = 1,8 kg/m



19431

Cover cap	Color	ESD	No.
45x45 HR (1x)	Signal gray	20	3 842 548 798
45x45 HR (1x)	Black	20	3 842 548 799

Material: PP

45x60°	L (mm)	No.
1 pc	50 ... 6070	3 842 993 015 / L
20 pcs	6070	3 842 557 956

Quick & Easy (p. 2-7, see fold-out section)

45x60°	3 842 993 744 / ...
Length L (mm)	50 ... 6070
Standard profile finishing $L_{max} = 6000 \text{ mm}$	M12
(note minimum length, p. 2-24)	
Customized profile finishing	—

45x45L R	L (mm)	No.
1 pc	50 ... 6070	3 842 992 897 / L
20 pcs	6070	3 842 557 948

Quick & Easy (p. 2-7, see fold-out section)

45x45L R	3 842 993 742 / ...
Length L (mm)	50 ... 6070
Standard profile finishing $L_{max} = 6000 \text{ mm}$	M12 / DB17
(note minimum length, p. 2-24)	
Customized profile finishing	—

45x45 HR	L (mm)	No.
1 pc	50 ... 6070	3 842 992 945 / L
1 pc M12	60 ... 6000	3 842 993 001 / L
1 pc M12	110 ... 6000	3 842 992 999 / L
20 pcs	6070	3 842 557 957

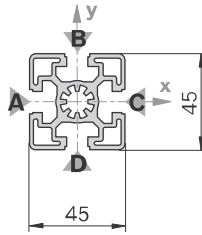
Quick & Easy (p. 2-7, see fold-out section)

45x45 HR	3 842 993 736 / ...
Length L (mm)	50 ... 6070
Standard profile finishing $L_{max} = 6000 \text{ mm}$	M12 / DB17
(note minimum length, p. 2-24)	
Customized profile finishing	DI / DIS / MT / MTS / MI / MIS / DG ¹⁾

¹⁾ DG_{max} = 45°; L_{min1} / L_{min2} = 378 / 456 mm

45x45

A = 7,5 cm²
 I_x = 13,8 cm⁴
 I_y = 13,8 cm⁴
 W_x = 6,1 cm³
 W_y = 6,1 cm³
 m = 2,0 kg/m



19432

Cover cap	Color	ESD	No.
45x45 (1x)	Signal gray	100	3 842 548 752
45x45 (1x)	Black	20	3 842 548 753
Material:	PP		

Cover cap with hole	Color	ESD	No.
45x45 (1x)	Signal gray	20	3 842 548 796
45x45 (1x)	Black	20	3 842 548 797
Material:	PP		

45x45	L (mm)	No.
1 pc	50 ... 6070	3 842 990 520 / L
1 pc M12	60 ... 6000	3 842 990 517 / L
1 pc M12 M12	110 ... 6000	3 842 990 518 / L
1 pc M12 M16	180 ... 6000	3 842 990 519 / L
1 pc M12 D17	90 ... 6000	3 842 990 640 / L
1 pc M16	120 ... 6000	3 842 990 521 / L
1 pc M16 D17	170 ... 6000	3 842 990 642 / L
1 pc D9,8 D9,8	70 ... 6000	3 842 992 969 / L
1 pc D17	60 ... 6000	3 842 990 648 / L
1 pc D17 D17	80 ... 6000	3 842 990 644 / L
1 pc D17 D17V	80 ... 6000	3 842 990 646 / L
20 pcs	6070	3 842 553 614

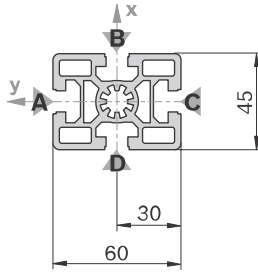
Quick & Easy (p. 2-7, see fold-out section)

45x45	3 842 993 734 / ...
Length L (mm)	50 ... 6070
Standard profile finishing L _{max} = 6000 mm (note minimum length, p. 2-24)	M12 / M16 / D9.8 / D17 / DB17
Customized profile finishing (L _{max i} = 5400 mm)	DI / DIS / MT / MTS / MI / MIS / DG ¹⁾

¹⁾ DG_{max} = 45°; L_{min1} / L_{min2} = 378 / 456 mm

45x60

A = 11,0 cm²
 $I_x = 37,2 \text{ cm}^4$
 $I_y = 22,7 \text{ cm}^4$
 $W_x = 12,4 \text{ cm}^3$
 $W_y = 10,1 \text{ cm}^3$
 m = 3,0 kg/m



19433

Cover cap	Color	ESD	No.
45x60 (1x)	Signal gray	20	3 842 548 754
45x60 (1x)	Black	20	3 842 548 755
Material:	PP		

Cover cap with hole	Color	ESD	No.
45x60 (1x)	Signal gray	20	3 842 548 802
45x60 (1x)	Black	20	3 842 548 803
Material:	PP		

45x60	L (mm)	No.
1 pc	50 ... 6070	3 842 990 570 / L
1 pc M12	60 ... 6000	3 842 990 571 / L
1 pc M12	110 ... 6000	3 842 990 572 / L
1 pc M12	180 ... 6000	3 842 990 575 / L
1 pc M16	120 ... 6000	3 842 990 573 / L
1 pc D9,8	50 ... 6000	3 842 992 376 / L
1 pc D17	60 ... 6000	3 842 990 688 / L
1 pc D17	80 ... 6000	3 842 990 672 / L
1 pc D17	80 ... 6000	3 842 990 674 / L
1 pc D9,8V	50 ... 6000	3 842 992 375 / L
1 pc D17V	60 ... 6000	3 842 990 690 / L
1 pc D17V	80 ... 6000	3 842 990 670 / L
1 pc LF	80 ... 6000	3 842 993 085 / L
1 pc F1	80 ... 6000	3 842 990 584 / L
20 pcs	6070	3 842 557 200

Profile finishing D9.8, D17: in slots B/D
 D9.8V, D17V: in slots A/C
 LF: in slots A/C
 F1: in slot A

Quick & Easy (p. 2-7, see fold-out section)

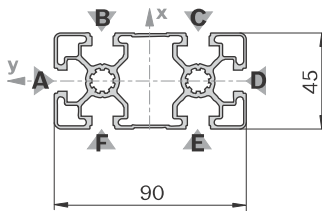
45x60	3 842 993 743 / ...
Length L (mm)	50 ... 6070
Standard profile finishing $L_{max} = 6000 \text{ mm}$ (note minimum length, p. 2-24)	M12 / M16 / D9.8 / D17 / DB17 / F1 (A,C) ¹⁾
Customized profile finishing ($L_{max i} = 5400 \text{ mm}$)	DI / DIS / MT / MTS / MI / MIS / DG ²⁾

¹⁾ For the specified slots

²⁾ $DG_{max} = 45^\circ$; $L_{min1} / L_{min2} = 404 / 508 \text{ mm}$

45x90SL

A = 9,0 cm²
 $I_x = 73,4 \text{ cm}^4$
 $I_y = 18,1 \text{ cm}^4$
 $W_x = 16,3 \text{ cm}^3$
 $W_y = 8,0 \text{ cm}^3$
 m = 2,4 kg/m



19434

Cover cap	Color	ESD	No.
45x90 (1x)	Signal gray	20	3 842 548 756
45x90 (1x)	Black	20	3 842 548 757
Material:	PP		

Cover cap with hole	Color	ESD	No.
45x90 (1x)	Signal gray	20	3 842 548 804
45x90 (1x)	Black	20	3 842 548 805
Material:	PP		

45x90SL	L (mm)	No.
1 pc	50 ... 6070	3 842 993 450 / L
12 pcs	6070	3 842 537 102

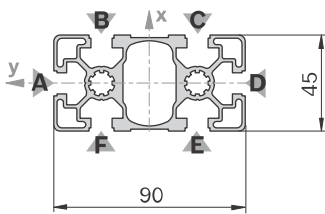
Quick & Easy (p. 2-7, see fold-out section)

45x90SL	3 842 993 759 / ...
Length L (mm)	50 ... 6070
Standard profile finishing $L_{max} = 6000 \text{ mm}$ (note minimum length, p. 2-24)	M12 / D9.8 / D17 / DB17
Customized profile finishing ($L_{max i} = 5400 \text{ mm}$)	DI / DIS / DG ¹⁾

¹⁾ $DG_{max} = 45^\circ$; $L_{min1} / L_{min2} = 456 / 612 \text{ mm}$

45x90L

A = 11,3 cm²
 I_x = 82,0 cm⁴
 I_y = 23,6 cm⁴
 W_x = 18,2 cm³
 W_y = 10,5 cm³
 m = 3,0 kg/m



19435

Cover cap	Color	ESD	No.
45x90 (1x)	Signal gray	20	3 842 548 756
45x90 (1x)	Black	20	3 842 548 757

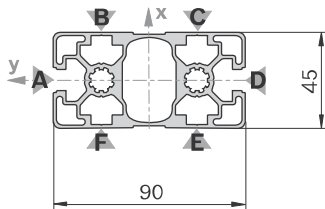
Material: PP

Cover cap with hole	Color	ESD	No.
45x90 (1x)	Signal gray	20	3 842 548 804
45x90 (1x)	Black	20	3 842 548 805

Material: PP

45x90L 2N

A = 12,0 cm²
 I_x = 26,9 cm⁴
 I_y = 85,6 cm⁴
 W_x = 6,0 cm³
 W_y = 38,1 cm³
 m = 3,2 kg/m



36364

Cover cap: see 45x90

45x90L	L (mm)	No.
1 pc	50 ... 6070	3 842 992 432 / L
1 pc M12	60 ... 6000	3 842 992 453 / L
1 pc M12 M12	110 ... 6000	3 842 992 433 / L
1 pc D17 D17	80 ... 6000	3 842 992 437 / L
1 pc D17 D17V	80 ... 6000	3 842 992 436 / L
1 pc D17V D17V	60 ... 6000	3 842 992 452 / L
1 pc D17V D17V	80 ... 6000	3 842 992 435 / L
1 pc LF LF	80 ... 6000	3 842 993 084 / L
12 pcs	6070	3 842 553 612

Profile finishing: M12: in all core holes
 D17: in slots B/F, C/E
 D17V: in slots A/D
 LF: in slots A/D

Quick & Easy (p. 2-7, see fold-out section)

45x90L	3 842 993 662 / ...
Length L (mm)	50 ... 6070
Standard profile finishing L _{max} = 6000 mm (note minimum length, p. 2-24)	M12 / D9.8 / D17 / DB17 / F1 (A,D) ¹⁾
Customized profile finishing (L _{max i} = 5400 mm)	DI / DIS / MT / MTS / MI / MIS / DG ²⁾

¹⁾ For the specified slots
²⁾ DG_{max} = 45°; L_{min1} / L_{min2} = 456 / 612 mm

45x90L 2N	L (mm)	No.
1 pc	50 ... 6070	3 842 993 644 / L
12 pcs	6070	3 842 538 299

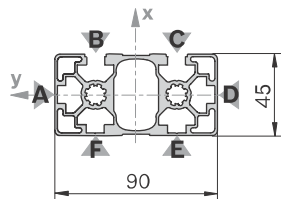
Quick & Easy (p. 2-7, see fold-out section)

45x90L 2N	3 842 993 751 / ...
Length L (mm)	50 ... 6070
Standard profile finishing L _{max} = 6000 mm (note minimum length, p. 2-24)	M12 / D9.8 / D17 / DB17 / F1 (A,D) ¹⁾
Customized profile finishing (L _{max i} = 5400 mm)	DI / DIS / MT / MTS / MI / MIS / DG ²⁾

¹⁾ For the specified slots
²⁾ DG_{max} = 45°; L_{min1} / L_{min2} = 456 / 612 mm

45x90L 2NVS

A = 12,0 cm²
 I_x = 25,9 cm⁴
 I_y = 90,6 cm⁴
 W_x = 5,7 cm³
 W_y = 40,3 cm³
 m = 3,3 kg/m



33096

Cover cap: see 45x90

45x90L 2NVS		L (mm)	No.
	12 pcs		6070 3 842 555 652

Quick & Easy (p. 2-7, see fold-out section)

45x90L 2NVS	3 842 993 770 / ...
--------------------	----------------------------

Length L (mm) 50 ... 6070

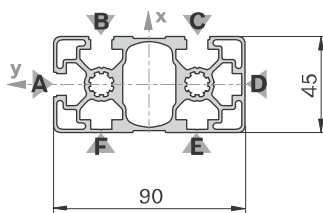
Standard profile finishing L_{max} = 6000 mm M12 / D9.8 / D17 / DB17
 (note minimum length, p. 2-24)

Customized profile finishing DI / DIS / MT / MTS / MI / MIS / DG¹⁾
 (L_{max i} = 5400 mm)

¹⁾ DG_{max} = 45°; L_{min1} / L_{min2} = 456 / 612 mm

45x90L 3NVS

A = 11,8 cm²
 I_x = 87,2 cm⁴
 I_y = 25,2 cm⁴
 W_x = 38,8 cm³
 W_y = 5,6 cm³
 m = 3,2 kg/m



19437

Cover cap: see 45x90

45x90L 3NVS		L (mm)	No.
--------------------	--	---------------	------------

1 pc  50 ... 6070 **3 842 993 635 / L**

 12 pcs  6070 **3 842 538 298**

Quick & Easy (p. 2-7, see fold-out section)

45x90L 3NVS	3 842 993 752 / ...
--------------------	----------------------------

Length L (mm) 50 ... 6070

Standard profile finishing L_{max} = 6000 mm M12 / D9.8 / D17 / DB17
 (note minimum length, p. 2-24)

Customized profile finishing DI / DIS / MT / MTS / MI / MIS / DG¹⁾
 (L_{max i} = 5400 mm)

¹⁾ DG_{max} = 45°; L_{min1} / L_{min2} = 456 / 612 mm

45x90

A = 15,4 cm²
 I_x = 124,6 cm⁴
 I_y = 32,8 cm⁴
 W_x = 27,7 cm³
 W_y = 14,6 cm³
 m = 4,2 kg/m

10 10
45
19438

Cover cap	Color	ESD	No.
45x90 (1x)	Signal gray	20	3 842 548 756
45x90 (1x)	Black	20	3 842 548 757

Material: PP

Cover cap with hole	Color	ESD	No.
45x90 (1x)	Signal gray	20	3 842 548 804
45x90 (1x)	Black	20	3 842 548 805

Material: PP

45x90	L (mm)	No.
1 pc	50 ... 6070	3 842 990 300 / L
1 pc M12	60 ... 6000	3 842 990 301 / L
1 pc M12 M12	110 ... 6000	3 842 990 302 / L
1 pc M12 D17	90 ... 6000	3 842 990 323 / L
1 pc M12 D17V	90 ... 6000	3 842 990 305 / L
1 pc M16	120 ... 6000	3 842 990 303 / L
1 pc M16 M16	240 ... 6000	3 842 990 304 / L
1 pc M16 D17	170 ... 6000	3 842 990 325 / L
1 pc M16 D17V	170 ... 6000	3 842 990 307 / L
1 pc D17	60 ... 6000	3 842 990 329 / L
1 pc D17 D17	80 ... 6000	3 842 990 313 / L
1 pc D17 D17V	80 ... 6000	3 842 990 311 / L
1 pc D17V	60 ... 6000	3 842 990 331 / L
1 pc D17V D17V	80 ... 6000	3 842 990 309 / L
12 pcs	6070	3 842 553 615

Profile finishing: M12, M16: in all core holes
 D17: in slots B/F, C/E
 D17V: in slots A/D

Quick & Easy (p. 2-7, see fold-out section)

45x90	3 842 993 661 / ...
Length L (mm)	50 ... 6070
Standard profile finishing L _{max} = 6000 mm (note minimum length, p. 2-24)	M12 / M16 / D9.8 / D17 / DB17 / F1 (A,D) ¹⁾
Customized profile finishing (L _{max i} = 5400 mm)	DI / DIS / MT / MTS / MI / MIS / DG ²⁾

¹⁾ For the specified slots
²⁾ DG_{max} = 45°; L_{min1} / L_{min2} = 456 / 612 mm

45x180

A = 25,5 cm²
 I_x = 766,7 cm⁴
 I_y = 57,3 cm⁴
 W_x = 85,2 cm³
 W_y = 25,5 cm³
 m = 6,9 kg/m

10 10
45
19439

Cover cap	Color	ESD	No.
45x180 (1x)	Signal gray	20	3 842 548 794
45x180 (1x)	Black	20	3 842 548 795

Material: PP

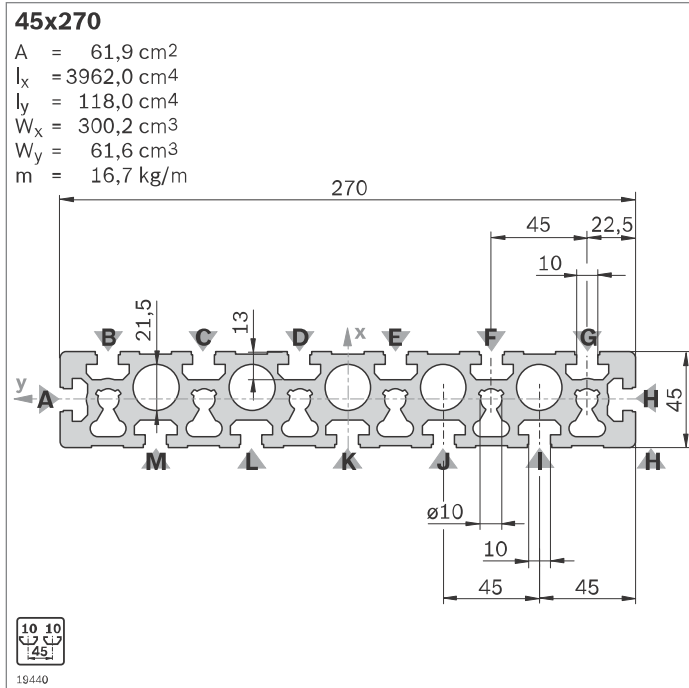
45x180	L (mm)	No.
1 pc	50 ... 6070	3 842 990 335 / L
1 pc M12	60 ... 6000	3 842 990 336 / L
1 pc M12 M12	110 ... 6000	3 842 990 339 / L
1 pc D17	80 ... 6000	3 842 990 342 / L
1 pc D17V	80 ... 6000	3 842 990 344 / L
6 pcs	6070	3 842 553 616

Profile finishing: M12: in all core holes
 D17: in slots B/J, E/G
 D17V: in slots A/F

Quick & Easy (p. 2-7, see fold-out section)

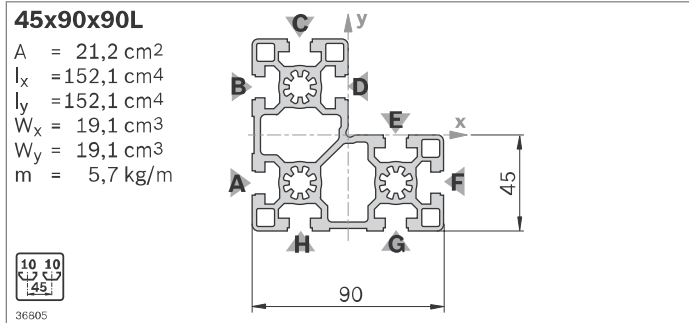
45x180	3 842 993 731 / ...
Length L (mm)	80 ... 6070
Standard profile finishing L _{max} = 6000 mm (note minimum length, p. 2-24)	M12 / M16 / D9.8 (B,C,D,E,G,H,I,J) ¹⁾ / D17 (B,C,D,E,G,H,I,J) ¹⁾ / DB17 / F1 (A,F) ¹⁾
Customized profile finishing (L _{max i} = 5400 mm)	DI / DIS / MT / MTS / MI / MIS / DG ²⁾

¹⁾ For the specified slots
²⁾ DG_{max} = 30°; L_{min1} / L_{min2} = 404 / 508 mm



Cover cap	Color	ESD	No.
45x90 (3x)	Signal gray	20	3 842 548 756
45x90 (3x)	Black	20	3 842 548 757

Material: PP



Cover cap	Color	ESD	No.
45x90x90 (1x)	Signal gray	20	3 842 548 806
45x90x90 (1x)	Black	20	3 842 548 807

Material: PP

Cover cap with hole ¹⁾	Color	ESD	No.
45x90x90 (1x)	Signal gray	20	3 842 548 806
45x90x90 (1x)	Black	20	3 842 548 807

Material: PP

¹⁾ The cover cap is also suitable for use with a hole, which can be broken out

45x270	L (mm)	No.
1 pc	50 ... 6000	3 842 992 927 / L
1 pc M12	110 ... 6000	3 842 992 928 / L
2 pcs	6070	3 842 557 949

Profile finishing: M12: in core holes with C, F slots

Quick & Easy (p. 2-7, see fold-out section)

45x270	3 842 993 732 / ...
Length L (mm)	80 ... 6000
Standard profile finishing $L_{max} = 6000 \text{ mm}$ (note minimum length, p. 2-24)	M12 / D9.8 (B,C,D,E,F,G, I,J,K,L,M) ¹⁾ / D17 (B,C, D,E,F,G,I,J,K,L,M) ¹⁾ / DB17 / F1 (A,H) ¹⁾
Customized profile finishing ($L_{max i} = 5400 \text{ mm}$)	DI / DIS / MT / MTS / MI / MIS

¹⁾ For the specified slots

45x90x90L	L (mm)	No.
1 pc	50 ... 6070	3 842 992 387 / L
1 pc M12	60 ... 6000	3 842 992 388 / L
8 pc	6070	3 842 537 823

Profile finishing: M12: in the central bore at the intersection of slots A and H

Quick & Easy (p. 2-7, see fold-out section)

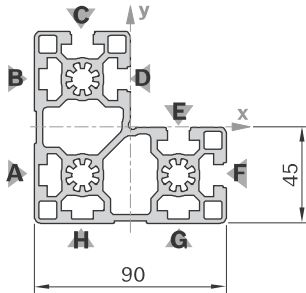
45x90x90L	3 842 993 682 / ...
Length L (mm)	50 ... 6070
Standard profile finishing $L_{max} = 6000 \text{ mm}$ (note minimum length, p. 2-24)	M12 / D9.8 / D17 / DB17 (A,B,C,F,G,H) ¹⁾
Customized profile finishing ($L_{max i} = 5400 \text{ mm}$)	DI / DIS / MT / MTS / MI / MIS / DG ²⁾

¹⁾ For the specified slots

²⁾ $DG_{max} = 45^\circ$; $L_{min1} / L_{min2} = 456 / 612 \text{ mm}$

45x90x90L 4N

A = 22,1 cm²
 I_x = 160,8 cm⁴
 I_y = 160,8 cm⁴
 W_x = 30,6 cm³
 W_y = 30,6 cm³
 m = 6,0 kg/m



29432

Cover cap: see 45x90x90L

45x90x90L 4N		L (mm)	No.
	8 pc		6070 3 842 547 827

Quick & Easy (p. 2-7, see fold-out section)

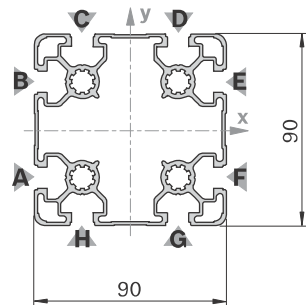
45x90x90L 4N		3 842 993 764
Length L (mm)	50 ... 6070	
Standard profile finishing L _{max} = 6000 mm (note minimum length, p. 2-24)	M12 / D9.8 / D17 / DB17 (A,B,C,F,G,H) ¹⁾	
Customized profile finishing (L _{max i} = 5400 mm)	DI / DIS / MT / MTS / MI / MIS / DG ²⁾	

¹⁾ For the specified slots

²⁾ DG_{max} = 45°; L_{min1} / L_{min2} = 456 / 612 mm

90x90SL

A = 14,1 cm²
 I_x = 130,2 cm⁴
 I_y = 130,2 cm⁴
 W_x = 28,9 cm³
 W_y = 28,9 cm³
 m = 3,8 kg/m



19442

Cover cap: see 90x90L

90x90SL		L (mm)	No.
	1 pc		50 ... 6070 3 842 993 449 / L
	6 pcs		6070 3 842 537 100

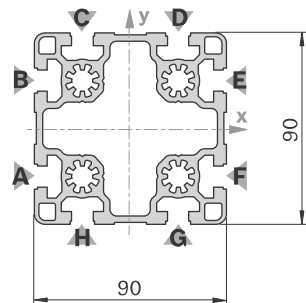
Quick & Easy (p. 2-7, see fold-out section)

90x90SL		3 842 993 681 / ...
Length L (mm)	50 ... 6070	
Standard profile finishing L _{max} = 6000 mm (note minimum length, p. 2-24)	M12 / D9.8 / D17 / DB17	
Customized profile finishing (L _{max i} = 5400 mm)	DI / DIS / DG ¹⁾	

¹⁾ DG_{max} = 45°; L_{min1} / L_{min2} = 456 / 612 mm

90x90L

A = 24,1 cm²
 I_x = 211,1 cm⁴
 I_y = 211,1 cm⁴
 W_x = 46,9 cm³
 W_y = 46,9 cm³
 m = 6,5 kg/m



19443

Cover cap	Color	ESD		No.
90x90L (1x)	Signal gray		20	3 842 548 758
90x90L (1x)	Black		20	3 842 548 759
Material:	PP			

90x90L		L (mm)	No.
	1 pc		50 ... 6070 3 842 992 415 / L
	1 pc	M12	60 ... 6000 3 842 992 416 / L
	1 pc	M12 M12	110 ... 6000 3 842 992 422 / L
	1 pc	M12 D17	90 ... 6000 3 842 992 423 / L
	1 pc	D17	60 ... 6000 3 842 992 417 / L
	1 pc	D17 D17	80 ... 6000 3 842 992 420 / L
	1 pc	D17 D17V	80 ... 6000 3 842 992 421 / L
	1 pc	LF LF	80 ... 6000 3 842 992 418 / L
	1 pc	LF M12	90 ... 6000 3 842 992 419 / L
	6 pcs		6070 3 842 553 613

Profile finishing: M12: in all core holes
 D17: in slots C/H, D/G
 D17V: in slots A/F, B/E
 LF: in slots C/H, D/G

Quick & Easy (p. 2-7, see fold-out section)

90x90L		3 842 993 680 / ...
Length L (mm)	50 ... 6070	
Standard profile finishing L _{max} = 6000 mm (note minimum length, p. 2-24)	M12 / D9.8 / D17 / DB17	
Customized profile finishing (L _{max i} = 5400 mm)	DI / DIS / MT / MTS / MI / MIS / DG ¹⁾	

¹⁾ DG_{max} = 45°; L_{min1} / L_{min2} = 456 / 612 mm

90x90L 4N

$A = 24,2 \text{ cm}^2$
 $I_x = 227,4 \text{ cm}^4$
 $I_y = 214,7 \text{ cm}^4$
 $W_x = 50,5 \text{ cm}^3$
 $W_y = 47,7 \text{ cm}^3$
 $m = 6,5 \text{ kg/m}$

19444

Cover cap: see 90x90L

90x90L 4NVS

$A = 24,2 \text{ cm}^2$
 $I_x = 220,9 \text{ cm}^4$
 $I_y = 220,9 \text{ cm}^4$
 $W_x = 49,2 \text{ cm}^3$
 $W_y = 49,2 \text{ cm}^3$
 $m = 6,5 \text{ kg/m}$

19445

Cover cap: see 90x90L

90x90

$A = 38,4 \text{ cm}^2$
 $I_x = 299,8 \text{ cm}^4$
 $I_y = 299,8 \text{ cm}^4$
 $W_x = 66,7 \text{ cm}^3$
 $W_y = 66,7 \text{ cm}^3$
 $m = 10,4 \text{ kg/m}$

19446

Cover cap	Color	ESD	No.
90x90 (1x)	Signal gray	20	3 842 548 760
90x90 (1x)	Black	20	3 842 548 761
Material:	PP		

Cover cap with hole	Color	ESD	No.
90x90 (1x)	Signal gray	20	3 842 548 814
90x90 (1x)	Black	20	3 842 548 815
Material:	PP		

Notice: A quick connector cannot be used

90x90L 4N	L (mm)	No.
1 pc	50 ... 6070	3 842 993 628 / L
6 pcs	6070	3 842 538 297

Quick & Easy (p. 2-7, see fold-out section)

90x90L 4N	3 842 993 755 / ...
Length L (mm)	50 ... 6070
Standard profile finishing $L_{max} = 6000 \text{ mm}$ (note minimum length, p. 2-24)	M12 / D9.8 / D17 / DB17
Customized profile finishing ($L_{max i} = 5400 \text{ mm}$)	DI / DIS / MT / MTS / MI / MIS / DG ¹⁾

¹⁾ $DG_{max} = 45^\circ$; $L_{min1} / L_{min2} = 456 / 612 \text{ mm}$

90x90L 4NVS	L (mm)	No.
1 pc	50 ... 6070	3 842 993 621 / L
6 pcs	6070	3 842 538 296

Quick & Easy (p. 2-7, see fold-out section)

90x90L 4NVS	3 842 993 756 / ...
Length L (mm)	50 ... 6070
Standard profile finishing $L_{max} = 6000 \text{ mm}$ (note minimum length, p. 2-24)	M12 / D9.8 / D17 / DB17
Customized profile finishing ($L_{max i} = 5400 \text{ mm}$)	DI / DIS / MT / MTS / MI / MIS / DG ¹⁾

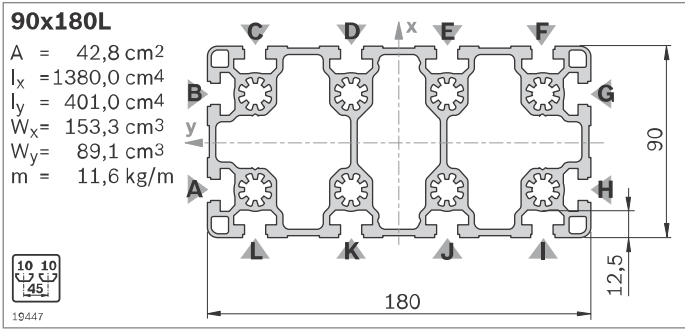
¹⁾ $DG_{max} = 45^\circ$; $L_{min1} / L_{min2} = 456 / 612 \text{ mm}$

90x90	L (mm)	No.
1 pc	50 ... 6070	3 842 990 500 / L
1 pc M16	120 ... 6000	3 842 990 501 / L
1 pc M16 M16	240 ... 6000	3 842 990 502 / L
1 pc M16 D17	170 ... 6000	3 842 992 961 / L
1 pc D17	60 ... 6000	3 842 990 092 / L
1 pc D17 D17	80 ... 6000	3 842 990 093 / L
1 pc D17 D17V	80 ... 6000	3 842 990 094 / L
1 pc LF LF	80 ... 6000	3 842 993 082 / L
1 pc F2 F2	60 ... 6000	3 842 990 505 / L
1 pc F2 F2	110 ... 6000	3 842 990 507 / L
6 pcs	6070	3 842 557 201

Quick & Easy (p. 2-7, see fold-out section)

90x90	3 842 993 679 / ...
Length L (mm)	50 ... 6070
Standard profile finishing $L_{max} = 6000 \text{ mm}$ (note minimum length, p. 2-24)	M16 / D9.8 / D17 / DB17 / F1
Customized profile finishing ($L_{max i} = 5400 \text{ mm}$)	DI / DIS / MT / MTS / MI / MIS / DG ¹⁾

¹⁾ $DG_{max} = 45^\circ$; $L_{min1} / L_{min2} = 456 / 612 \text{ mm}$



Cover cap	Color	ESD	No.
90x90L (2x)	Signal gray	20	3 842 548 758
90x90L (2x)	Black	20	3 842 548 759

Material: PP

90x180L	L (mm)	No.
1 pc	50 ... 6070	3 842 992 857 / L
1 pc M12	60 ... 6000	3 842 992 858 / L
1 pc M12 M12	110 ... 6000	3 842 992 859 / L
1 pc M12 LF	90 ... 6000	3 842 992 860 / L
1 pc D17V D17V	90 ... 6000	3 842 992 864 / L
1 pc LF LF	80 ... 6000	3 842 992 861 / L
3 pcs	6070	3 842 557 226

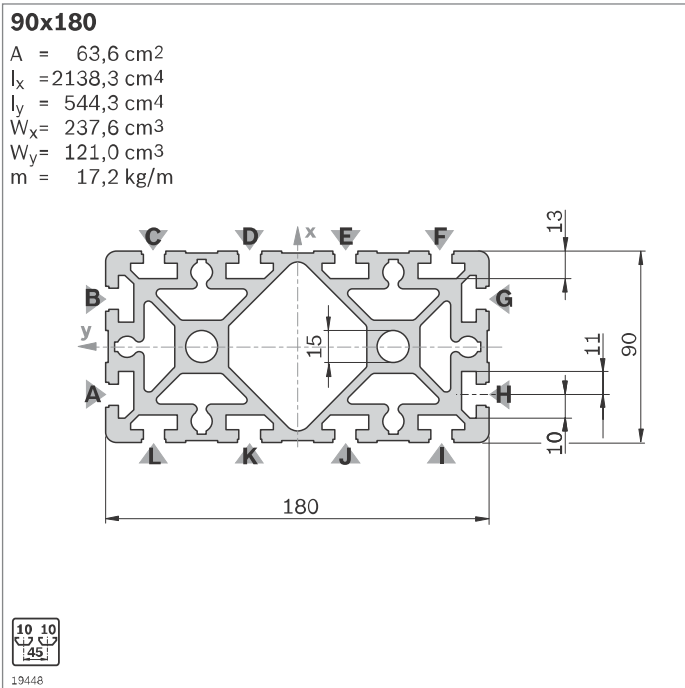
Profile finishing: M12: in all core holes
 D17V: in slots A/H, B/G
 LF: in slots A/H, B/G

Quick & Easy (p. 2-7, see fold-out section)

90x180L	3 842 993 677 / ...
Length L (mm)	80 ... 6070
Standard profile finishing $L_{max} = 6000 \text{ mm}$ (note minimum length, p. 2-24)	M12 / D9.8 (C,D,E,F,I, J,K,L) ¹⁾ / D17 (C,D,E, F,I,J,K,L) ¹⁾ / DB17 / F1 (A,G) ¹⁾
Customized profile finishing ($L_{max_i} = 5400 \text{ mm}$)	DI / DIS / MT / MTS / MI / MIS / DG ²⁾

¹⁾ For the specified slots

²⁾ $DG_{max} = 30^\circ$; $L_{min1} / L_{min2} = 404 / 508 \text{ mm}$



Cover cap	Color	ESD	No.
90x90 (2x)	Signal gray	20	3 842 548 760
90x90 (2x)	Black	20	3 842 548 761

Material: PP

Cover cap with hole	Color	ESD	No.
90x90 (2x)	Signal gray	20	3 842 548 814
90x90 (2x)	Black	20	3 842 548 815

Material: PP

90x180	L (mm)	No.
1 pc	50 ... 6070	3 842 990 416 / L
1 pc M16	120 ... 6000	3 842 990 417 / L
1 pc M16 M16	240 ... 6000	3 842 990 418 / L
1 pc M16 F2	170 ... 6000	3 842 990 419 / L
1 pc D17V D17V	80 ... 6000	3 842 992 378 / L
1 pc LF LF	80 ... 6000	3 842 992 898 / L
1 pc LF-S LF-S	80 ... 6000	3 842 993 081 / L
1 pc F2 F2	110 ... 6000	3 842 990 421 / L
3 pcs	6070	3 842 553 617

Profile finishing: M16: in all core holes
 D17V: in slots A/H, B/G
 LF: in slots A/H, B/G
 LF-S: in slots D/K, E/J

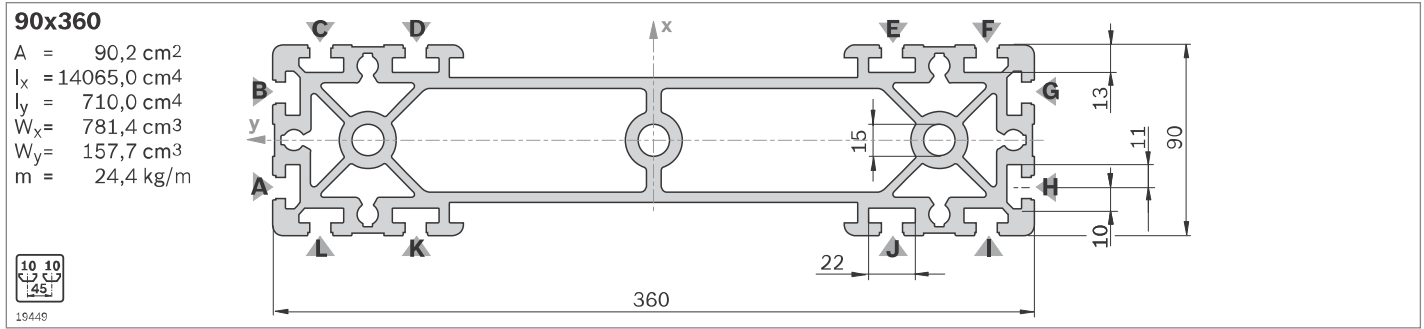
Quick & Easy (p. 2-7, see fold-out section)

90x180	3 842 993 676 / ...
Length L (mm)	80 ... 6070
Standard profile finishing $L_{max} = 6000 \text{ mm}$ (note minimum length, p. 2-24)	M16 / D9.8 (C,D,E,F,I,J, K,L) ¹⁾ / D17 (C,D,E,F,I,J, K,L) ¹⁾ / DB17 / F1 (A,G) ¹⁾
Customized profile finishing ($L_{max_i} = 5400 \text{ mm}$)	DI / DIS / MT / MTS / MI / MIS / DG ²⁾

¹⁾ For the specified slots

²⁾ $DG_{max} = 30^\circ$; $L_{min1} / L_{min2} = 404 / 508 \text{ mm}$

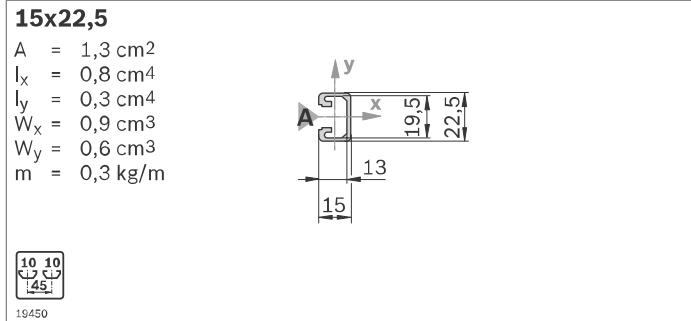
Notice: A quick connector cannot be used with profile 90x180



Cover cap	Color	ESD	No.
90x90 (2x)	Signal gray	20	3 842 548 760
90x90 (2x)	Black	20	3 842 548 761
Material:	PP		

Cover cap with hole	Color	ESD	No.
90x90 (2x)	Signal gray	20	3 842 548 814
90x90 (2x)	Black	20	3 842 548 815
Material:	PP		

Notice: A quick connector cannot be used



Cover cap	Color	ESD	No.
15x22.5 (1x)	Signal gray	20	3 842 548 816
15x22.5 (1x)	Black	20	3 842 548 817
Material:	PP		

90x360	L (mm)	No.
	50 ... 6000	3 842 993 434 / L
M16	240 ... 6000	3 842 993 435 / L
F2	110 ... 6000	3 842 993 436 / L

Profile finishing: M16: in all core holes

Quick & Easy (p. 2-7, see fold-out section)

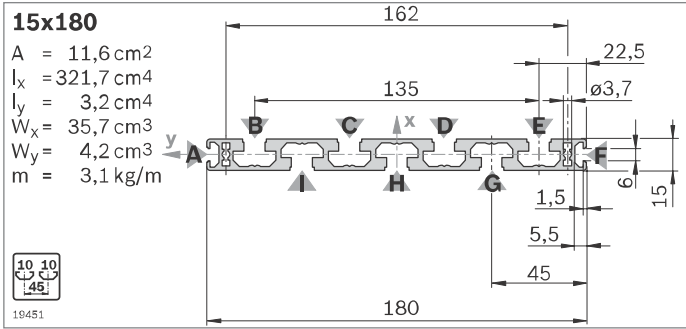
90x360	No.
3 842 993 678 / ...	
Length L (mm)	80 ... 6000
Standard profile finishing $L_{max} = 6000 \text{ mm}$	M16 / D9.8 (C,D,E,F,I,J, K,L) ¹⁾ / D17 (C,D,E,F,I,J, K,L) ¹⁾ / DB17 / F1 (A,G) ¹⁾
Customized profile finishing ($L_{max i} = 5400 \text{ mm}$)	DI / DIS / MT / MTS / MI / MIS

¹⁾ For the specified slots

15x22.5	L (mm)	No.
1 pc	50 ... 3000	3 842 992 473 / L
1 pc D17	60 ... 3000	3 842 992 474 / L
1 pc D17	80 ... 3000	3 842 992 475 / L
10 pcs	2000	3 842 513 576

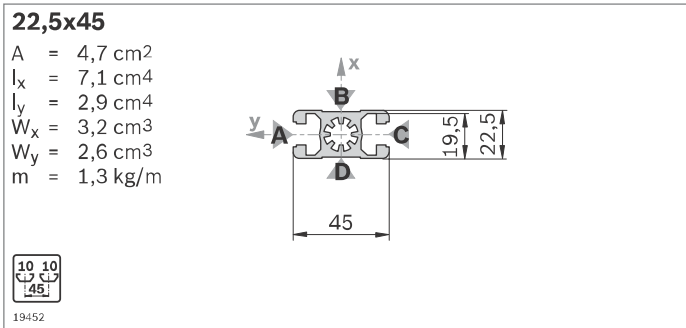
Quick & Easy (p. 2-7, see fold-out section)

15x22.5	No.
3 842 993 689 / ...	
Length L (mm)	50 ... 2000
Standard profile finishing (note minimum length, p. 2-24)	D9.8 / D17
Customized profile finishing	—



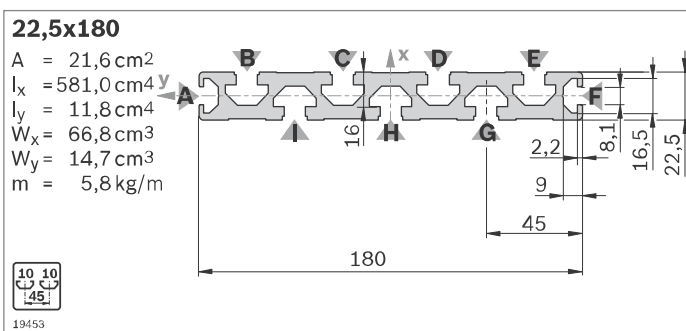
Cover cap	Color	ESD	No.
15x180 (1x)	Signal gray	20	3 842 548 772
15x180 (1x)	Black	20	3 842 548 773

Material: PP



Cover cap	Color	ESD	No.
22,5x45 (1x)	Signal gray	20	3 842 548 830
22,5x45 (1x)	Black	20	3 842 548 831

Material: PP



Cover cap	Color	ESD	No.
22,5x180 (1x)	Signal gray	20	3 842 548 770
22,5x180 (1x)	Black	20	3 842 548 771

Material: PP

15x180	L (mm)	No.
1 pc	50 ... 6070	3 842 993 079 / L
6 pcs	6070	3 842 557 242

Quick & Easy (p. 2-7, see fold-out section)

15x180	3 842 993 686 / ...
Length L (mm)	80 ... 6070
Standard profile finishing $L_{max} = 6000 \text{ mm}$ (note minimum length, p. 2-24)	D9.8 (B,C,D,E,G,H,I) ¹⁾ / D17 (B,C,D,E,G,H,I) ¹⁾
Customized profile finishing ($L_{max i} = 5400 \text{ mm}$)	DI / DIS / MT / MTS / MI / MIS

¹⁾ For the specified slots

22,5x45	L (mm)	No.
1 pc	50 ... 6070	3 842 990 292 / L
1 pc M12	60 ... 6000	3 842 990 087 / L
1 pc M12	M12	110 ... 6000
1 pc D17V	D17V	80 ... 6000
24 pcs	6070	3 842 537 812

Quick & Easy (p. 2-7, see fold-out section)

22,5x45	3 842 993 700 / ...
Length L (mm)	50 ... 6070
Standard profile finishing $L_{max} = 6000 \text{ mm}$ (note minimum length, p. 2-24)	M12 / D9.8 (A,C) ¹⁾ / D17 / DB17 (A,C) ¹⁾
Customized profile finishing ($L_{max i} = 5400 \text{ mm}$)	DI / DIS / MT / MTS / MI / MIS / DG ²⁾

¹⁾ For the specified slots

²⁾ $DG_{max} = 45^\circ$; $L_{min1} / L_{min2} = 378 / 456 \text{ mm}$

22,5x180	L (mm)	No.
1 pc	50 ... 6070	3 842 990 345 / L
6 pcs	6070	3 842 557 944

Profile finishing: D28: in slots G, I

Quick & Easy (p. 2-7, see fold-out section)

22,5x180	3 842 993 699 / ...
Length L (mm)	80 ... 6070
Standard profile finishing $L_{max} = 6000 \text{ mm}$ (note minimum length, p. 2-24)	D9.8 (B,C,D,E,G,H,I) ¹⁾ / D17 (B,C,D,E,G,H,I) ¹⁾
Customized profile finishing ($L_{max i} = 5400 \text{ mm}$)	DI / DIS / MT / MTS / MI / MIS

¹⁾ For the specified slots